

PROPORTIONAL FLOW VALVE

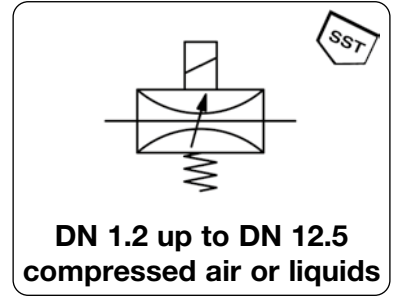
PV202 / PV203

Prop.-V.



11

Description	The proportional flow valve can be controlled either by 24 V DC or optionally by a plug amplifier with switchable signals. 50 µm filtered compressed air, vacuum, non-corrosive gases or liquids Conversion of the analogue signal into a pulse-wide modulated current.		
Media	50 µm filtered compressed air, vacuum, non-corrosive gases or liquids		
Plug amplifier	Conversion of the analogue signal into a pulse-wide modulated current.		
Electrical connector	Supply voltage: 24 V DC, max. 1.1 A	Adjustment:	zero point and range
Protection class	Switchable signal: 0...10 V, 0...20 mA, 4...20 mA	Time ramp:	0.1 to 3 s selectable
Temperature range	Close function: < 2% of max. signal	Hum frequency:	40 to 700 Hz selectable
Viscosity max.	IP 65 with coupling socket	Operating pressure	see chart, max. 12 bar
Power consumption	-10 °C to 90 °C / 14 °F to 194 °F	Mounting position	any
Hysteresis / Sensitivity	at G½: 0 °C to 50 °C / 32 °F to 122 °F		
Repeatability	PV202, G½	PV202, G¼ / G¾	PV203, G¾ / G½
Body / Inner valve	-	21 mm²/s	40 mm²/s
	100...450 mA, 8.6 W	100...500 mA, 11 W	100...500 mA, 11 W
	< 5% FS / < 1% FS	< 5% FS / < 2% FS	< 7.5% FS / < 2% FS
	< 1% FS	< 3% FS	< 3% FS
	brass/SST, PTFE, FKM	brass/SST, PTFE, FKM	brass/SST, PTFE, NBR/Buna-N



Dimensions			Media	Nominal	K _v -	Flow	Supply	Connection	Order
A	B	C	A: air W: water	size DN	value (m³/h)	rate l/min*1	max. bar	thread G	number
mm	mm	mm							

Proportional flow valve 24 V DC, direct control, without amplifier, with coupling socket, made of brass **PV202 / PV203**

25	78	8	A	1.2	0.05	0...70	8.0	G½	PV202-1-12
				1.6	0.07	0...110	6.0		PV202-1-16
				2.4	0.13	0...70	4.0		PV202-1-24
				3.2	0.18	0...105	2.5		PV202-1-32
40	95	20	A/W*3	1.2	0.05	0...60	16	G¼	PV202-2-12
				2.4	0.12	0...110	8.0		PV202-2-24
				3.2	0.24	0...170	4.0		PV202-2-32
				4.0	0.42	0...280	2.5		PV202-2-40
				5.6	0.72	0...310	1.4		PV202-2-56
				7.1	0.90	0...390	1.0		PV202-2-71
48	97	14	A/W*3	3.2	0.24	0...190	4.0	G¾	PV202-3-32
				4.0	0.42	0...300	2.5		PV202-3-40
				5.6	0.72	0...330	1.4		PV202-3-56
				7.1	0.90	0...420	1.0		PV202-3-71
52	105	14	W	12.5	2.10	0...35*2	10	G¾	PV203-3-125W
				12.5	2.10	0...37*2	10	G½	PV203-4-125W

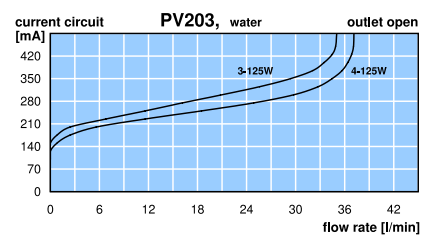
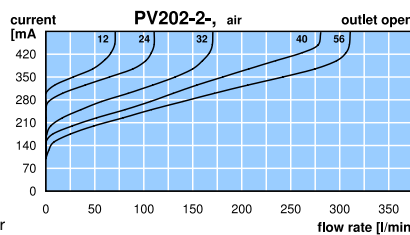
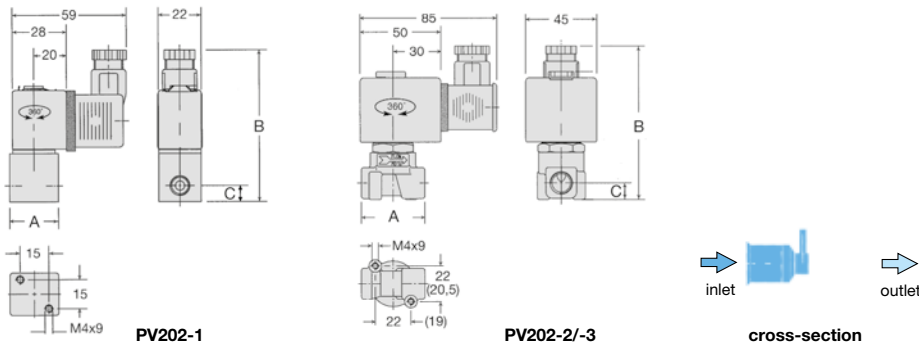


Special options, add the appropriate letter

for water or oil		for PV202, G¼ and G¾	PV202-...W
stainless steel body	NPT connection thread, FKM elastomere	for PV202	PV202-...S
12 V DC	voltage signal		PV0-...12V

Accessories, enclosed

plug amplifier	24 V DC, switchable 0-10 V, 0-20 mA, 4-20 mA	for PV202, G½	PVY-03
		for all others	PVY-04
plug amplifier	12 V DC, switchable 0-10 V, 0-20 mA, 4-20 mA	für PV202, G¾	PVY-08
		for all others	PVY-09



*1 for compressed air at operating pressure 6 bar and Δp = 1 bar
*2 flow rate for water since valve is pilot-controlled
*3 for liquids add **W** to order number of type PV202-2/-3

* Product group

PDF CAD
www.aircom.net



Order example:
PV202-1-12